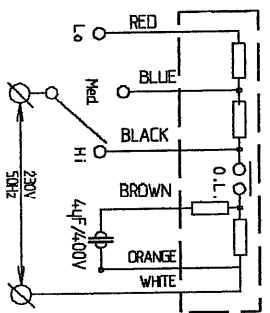
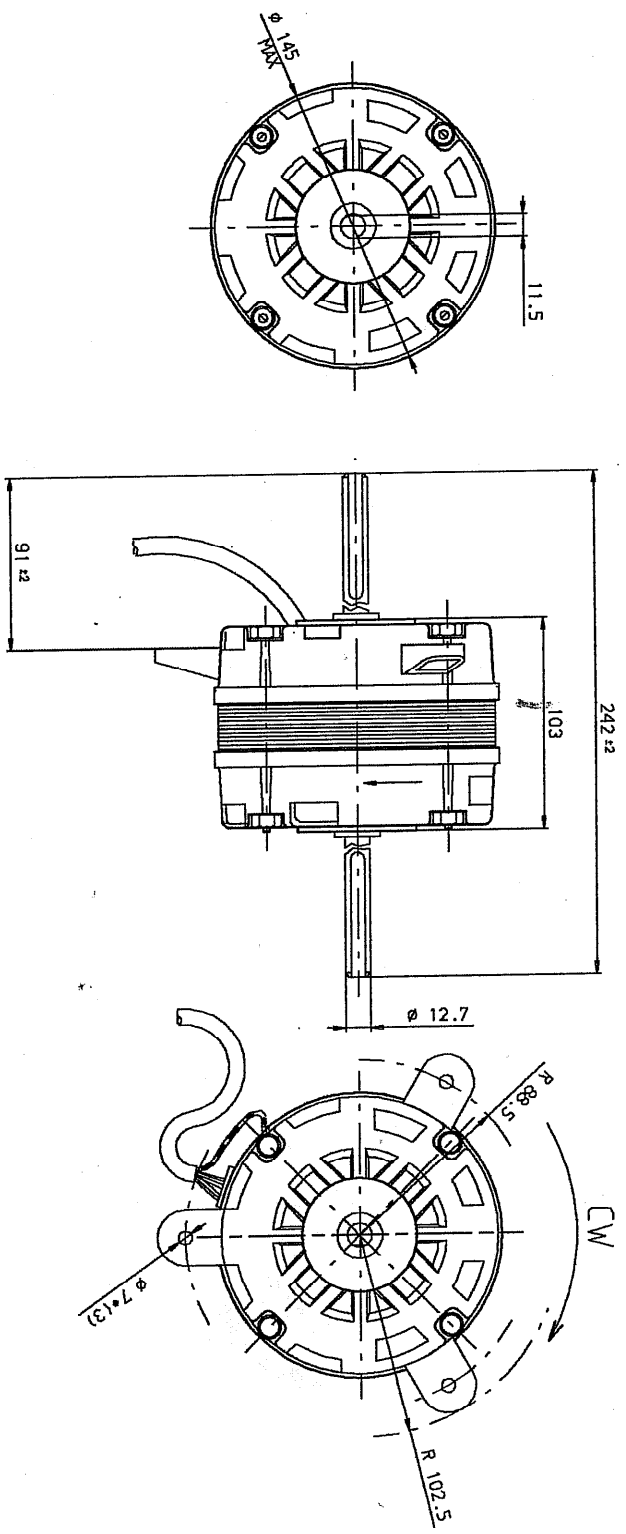


all dimensions in mm.



WRES CATING	61613351	LEV. WIRE	
DESCRIPTION	COLOUR	LENGTH	WIRE ENDS
	YELLOW/GREEN	830±50	RING TERMINAL
	WHITE/BLACK/BLUE	780±50	FASTON 230 FEMALE +COVER
	RED/BROWN/ORANGE	650±30	
Ø2 PVC SLEEVES	BLACK		
105			

COLOR: RED
 TYPE 6383351 TA-4 DYNAR
 4PH 230V 50Hz 0.85A HP-1/5
 CL.B THPR 4uF/400V
 RPM: 940/880/800
 DATE

OLD: 31-420

DRWG3919		Motor assembly - TA-4	
Drawn	MR	27/06/01	Call No: 1313351
Approved			
Scale	1:2		
Gen. Tolerance	±10		
File: E-GRV638-3351VASSY		Vi: 3351	CAT No: 13113
			PRINT: 27/06/01